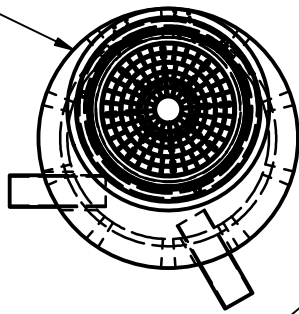
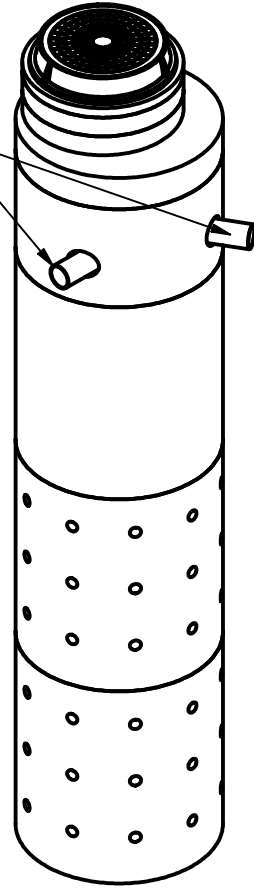


DRYWELL
 Ø60" OUSTSIDE
 Ø48" INSIDE



INLET/CONNECTOR
 SEE TYP. PIPE
 PENETRATION
 DETAIL ON SHEET 3



ISOMETRIC VIEW

STD MH FRAME & COVER
 (SEE NOTE 8)

12" MIN
 30" MAX

EL FINISH PER PLAN

10"

NEAT CEMENT CLASS C MORTOR
 1/2" THICK MIN, 3" THICK MAX

AS
 REQUIRED
 MAX. 50'

SHAFT
 HEIGHT
 VARY
 24" TO 60"

CAST OR CORE HOLES
 AS REQUIRED PER PLAN.
 MIN OF 6" CLEARANCE
 AROUND HOLES.

INVERT EL AND SIZE PER PLAN

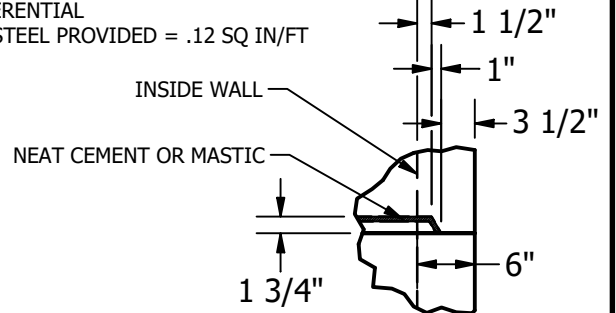
APPURTENANCES
 AND INTERNAL
 PIPING BY
 OTHERS

STEEL REINFORCING FOR
 STD SHAFTS
 ASTM A1064 WWM,
 GRADE 65
 CIRCUMFERENTIAL
 AREA OF STEEL PROVIDED = .12 SQ IN/FT

60" RISER
 DRAIN MODULES
 AS REQUIRED
 PER PLAN

60" RISER
 DRAIN MODULES
 AS REQUIRED
 PER PLAN

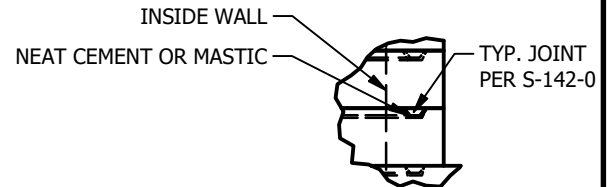
STEEL REINFORCING FOR
 SHAFTS WITH DRAIN HOLES
 ASTM A1064 WWM,
 GRADE 65
 CIRCUMFERENTIAL
 AREA OF STEEL PROVIDED = .18 SQ IN/FT



JOINT DETAIL A

EL PER PLAN

Ø48"
 Ø60"



KEY JOINT DETAIL B

LOCATION: T:\Drawings\Vault\DESIGNS\MANHOLE\LA City Drywell\48in 6in Wall LA City DryWell.dwg



240 W. LOS ANGELESE AVE. SIMI VALLEY, CA 93065
 P: (805) 527-0841 F: (805) 584-0769,
 WWW.PRE-CONPRODUCTS.COM

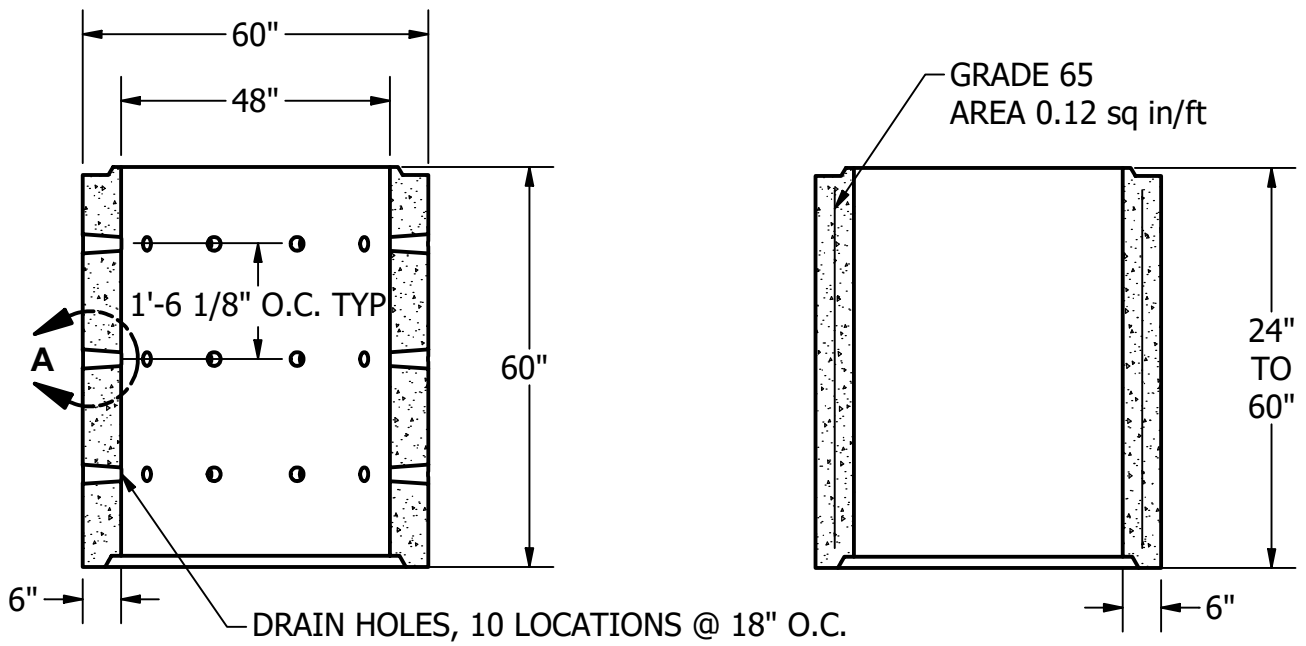
THE CONTENTS OF THESE DRAWINGS ARE THE PROPERTY OF PRECON PRODUCTS AND ARE PROPRIETARY AND CONFIDENTIAL. THESE DOCUMENTS SHALL NOT BE DISSEMINATED FOR ANY OTHER USE, WITHOUT THE WRITTEN CONSENT OF PRECON PRODUCTS. IF YOU RECEIVE THESE DRAWINGS IN ERROR, RETURN TO SENDER WITHOUT READING, COPYING OR DISCLOSING THE CONTENTS.

DRAWN BY:
 K.STRADER
 DATE:
 1/2/2019

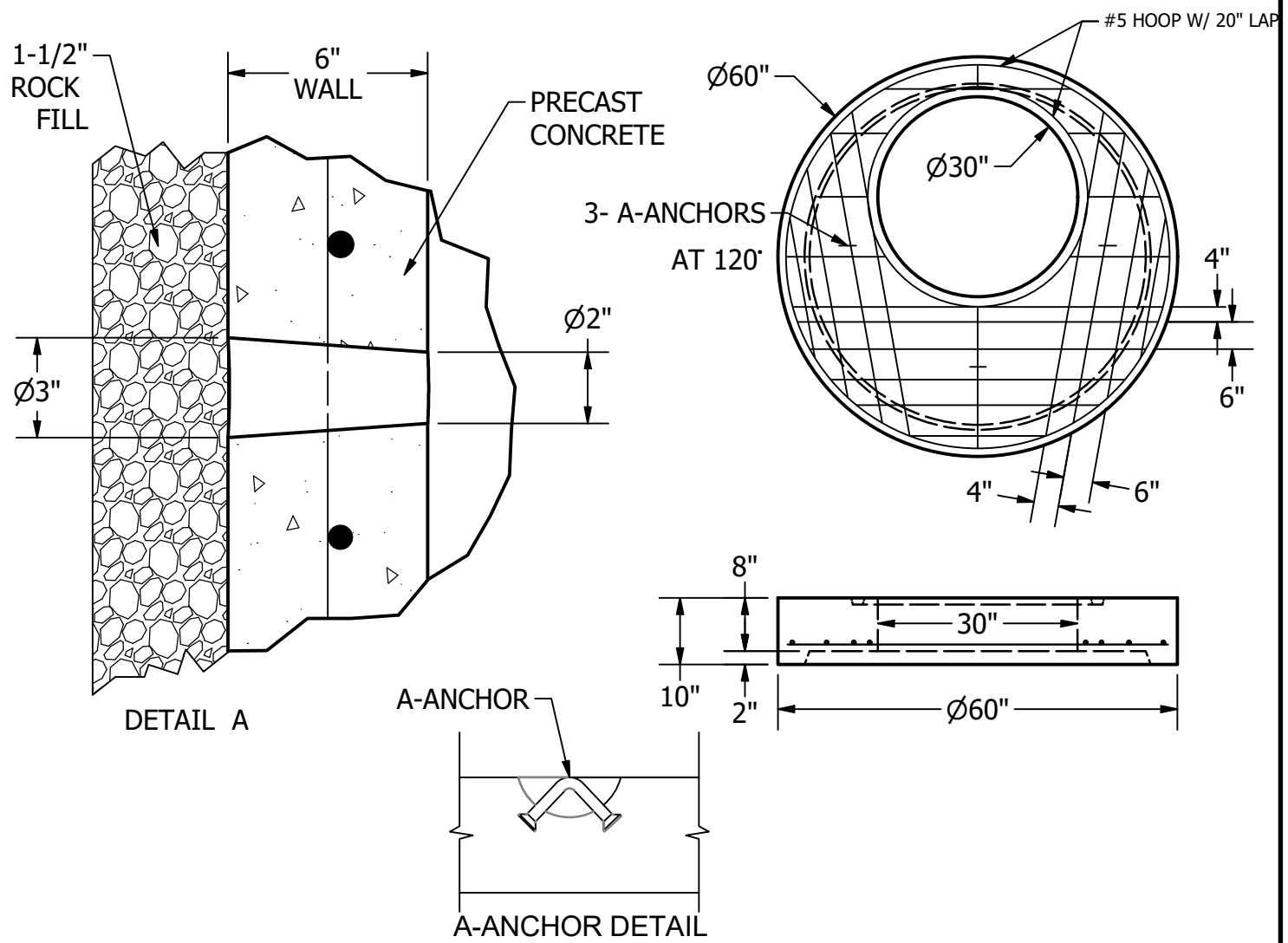
TITLE:
 48" INFILTRATION DRYWELL, 6" WALL
 LA CITY DRAINAGE SYSTEM

SHEETS:
 1 OF 3

DO NOT SCALE



OPTIONAL SHAFTS WITH AND WITHOUT DRAIN HOLES



LOCATION: T:\Drawings\Vault\DESIGNS\WANHOLES\LA City Drywell\48in 6in Wall LA City DryWell.dwg



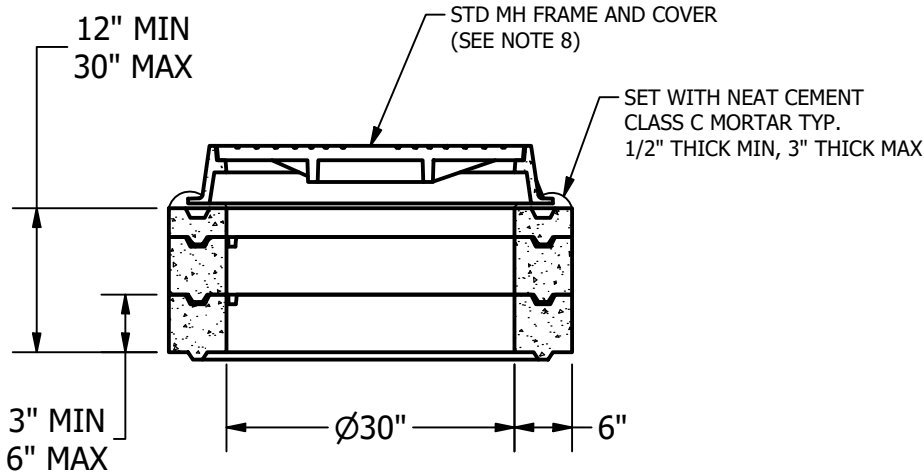
240 W. LOS ANGELES AVE. SIMI VALLEY, CA 93065
P: (805) 527-0841 F: (805) 584-0769, WWW.PRE-CONPRODUCTS.COM

THE CONTENTS OF THESE DRAWINGS ARE THE PROPERTY OF PRECON PRODUCTS AND ARE PROPRIETARY AND CONFIDENTIAL. THESE DOCUMENTS SHALL NOT BE DISSEMINATED FOR ANY OTHER USE, WITHOUT THE WRITTEN CONSENT OF PRECON PRODUCTS. IF YOU RECEIVE THESE DRAWINGS IN ERROR, RETURN TO SENDER WITHOUT READING, COPYING OR DISCLOSING THE CONTENTS.

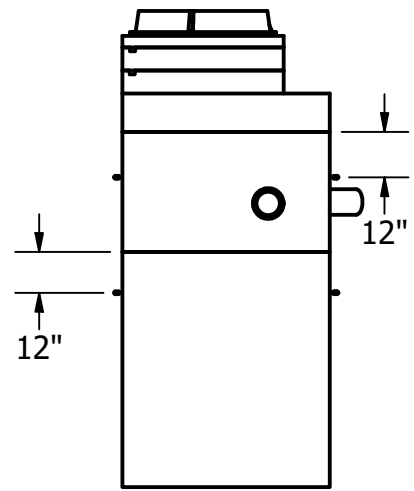
DRAWN BY:
K. STRADER
DATE:
1/2/2019

TITLE:
48" INFILTRATION DRYWELL, 6" WALL
LA CITY DRAINAGE SYSTEM

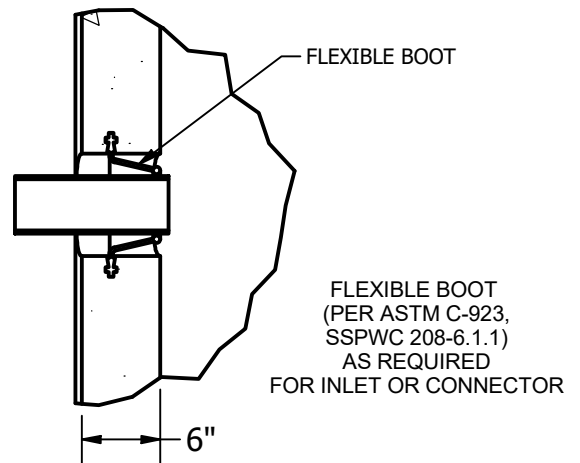
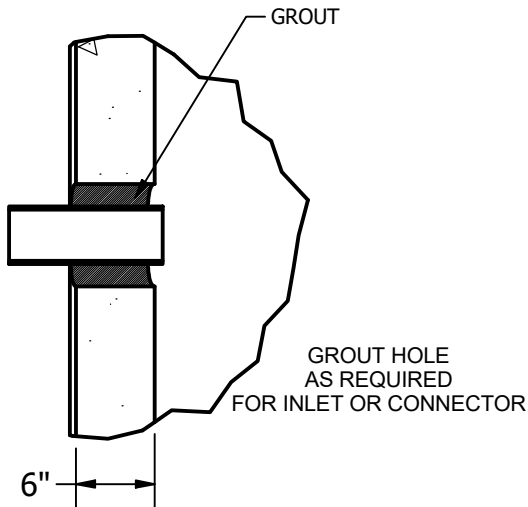
SHEETS:
2 OF 3
DO NOT SCALE



GRADE RING AND FRAME DETAIL



EZ LIFT PIN LOCATION DETAIL



TYPICAL PIPE PENETRATION DETAIL

NOTES: UNLESS OTHERWISE SPECIFIED.

1. PRECAST MATERIALS AND MANUFACTURING METHODS SHALL CONFORM TO ASTM C-478.
2. CONCRETE SHALL HAVE A MINIMUM COMPRESSIVE STRENGTH F C= 4000 PSI AT 28 DAYS. MIX DESIGN # 1419017, MIX DESCRIPTION 660-CW-4000P PRE-CON MIX.
3. THE PORTLAND CEMENT USED IN THE PRECAST SECTIONS SHALL MEET THE REQUIREMENTS OF TYPE II/V HIGH SULFATE RESISTANT CEMENT IN ACCORDANCE WITH ASTM C-150.
4. LANE EZ LIFT PINS, A-ANCHOR AND CONAC A-ANCHORS ARE USED FOR LIFTING. GROUT OVER HOLES AFTER INSTALLATION OF MAINTENANCE HOLES.
5. REINFORCEMENT STEEL AREA 0.12 SQ./FT FOR STANDARD SHAFTING AND AREA 0.18 SQ./FT FOR DRAIN MODULES AND BASE. SEE DETAIL ON SHEETS 1 AND 2.
6. MAXIMUM HEIGHT 50 FEET, SEE PROJECT PLANS IF THE HEIGHT EXCEEDS 50 FEET.
7. ALL JOINTS TO BE SEALED USING APPROVED PREFORMED FLEXIBLE JOINT SEALANT. SEALANT SHALL MEET OR EXCEED ASTM C 990.
8. DRYWELL SHALL BE PROVIDED WITH MINIMUM 30-INCH FRAME AND COVER IN ACCORDANCE WITH STANDARD PLAN S-283-0.
9. MANHOLE COMPLIES WITH HS20 TRAFFIC LOADING.
10. THE STRUCTURE WAS NOT DESIGNED TO RECEIVE SURCHARGE LOADS FROM ADJACENT STRUCTURES OR RAILROAD LOADS.
11. CONTACT BUREAU OF CONTRACT ADMINISTRATION MATERIAL CONTROL SECTION AT (213) 485-5080 FOR FABRICATION INSPECTION.
12. A COPY OF PRODUCTION APPROVAL TO BE AVAILABLE AT PRECON PRODUCTS MANUFACTURING PLANT AND JOB SITE AT ALL TIMES.
13. SEE PROJECT PLANS FOR CONNECTOR PIPE SIZE, TYPE AND INVERT ELEVATIONS.
14. SEE PROJECT PLANS FOR CHAMBER ELEVATIONS.
15. DRAIN HOLES AS REQUIRED BY PLANS.

LOCATION: T:\Drawings\Vault\DESIGNS\MANHOLES\LA City Drywell\48in 6in Wall LA City Drywell.dwg



240 W. LOS ANGELESE AVE. SIMI VALLEY, CA 93065
P: (805) 527-0841 F: (805) 584-0769,
WWW.PRE-CONPRODUCTS.COM

THE CONTENTS OF THESE DRAWINGS ARE THE PROPERTY OF PRECON PRODUCTS AND ARE PROPRIETARY AND CONFIDENTIAL. THESE DOCUMENTS SHALL NOT BE DISSEMINATED FOR ANY OTHER USE, WITHOUT THE WRITTEN CONSENT OF PRECON PRODUCTS. IF YOU RECEIVE THESE DRAWINGS IN ERROR, RETURN TO SENDER WITHOUT READING, COPYING OR DISCLOSING THE CONTENTS.

DRAWN BY:
K.STRADER
DATE:
1/2/2019

TITLE:
**48" INFILTRATION DRYWELL, 6" WALL
LA CITY DRAINAGE SYSTEM**

SHEETS:
3 OF 3
DO NOT SCALE